

Clemco Industries Corp.



Pulsar

Pulsar

Packed With Features

- *Filter cartridge is automatically cleaned each time the pedal is operated.*
- *Pull-through exhaust fan reduces wear on impeller blades.*
- *Unique Air Logic System maximizes air flow to the blast nozzle.*
- *Door safety interlocks interrupt blasting if either door is opened.*
- *Tough, full-length gloves protect the operator's hands and arms.*
- *Large window and top-mounted light allow clear view of work.*
- *Blow-off gun clears away dust and media after blasting.*
- *Rubberized wear-plate prolongs reclaimer life.*

Simple

Each Pulsar component has been engineered to work in balance with the whole system. Capacities for the sump, reclaimer, dust collector, and blast system are perfectly matched.

Because the components are housed in one cabinet, routing of hoses and tubes is simple and direct. The result is a cabinet that's easy to install, easy to use, and easy to maintain.

Tough

We build Pulsar cabinets to stand up to years of heavy industrial use. The blast enclosure and support structure are made from 14-gauge and heavier steel. Formed-in-place stress members prevent cabinet warping and buckling.

Quiet

The double-wall, sound-insulated doors and the door frame, form an edge baffle and positive seal to prevent the escape of dust and abrasive.



The top-mounted light module features an abrasive-resistant Lexan® cover and twin fluorescent bulbs.



The tilt-out frame makes changing the tempered-glass window a snap.



An independently adjustable pulse regulator maximizes cartridge-cleaning effectiveness and minimizes noise.



Lift-off hinges let you remove and replace the door in seconds, without tools.

Accessible

Side access allows easy adjustment and maintenance. Emptying the dust drum or replacing the filter cartridge takes just minutes. Side access puts the reclaimer door, the metering valve, the moisture separator, and the pulse pressure regulator with gauge at your fingertips. On the Pulsar VI-P, you can reach the pressure vessel's hand hole and metering valve from the side.

Smart

Pulsar controls are conveniently located within the operator's reach. The operator can easily adjust air pressure while blasting to suit the application.

The cabinet-top-mounted light module creates full-view, uniform lighting inside the cabinet, and is easily serviced.

Tilt-off window allows tool-free window replacement in minutes.

Positive latches pull the doors closed tight.

Lift-off hinges allow you to swap the standard door for a pass-through door, a vestibule door, or a door fitted with our standard tumble basket. (All are available through Clemco's Options Plus program)

Pulsar

Self-Cleaning

Each time the pedal is pressed or released, a pulse of compressed air knocks caked-on dust off the cartridge and into the dust drum. The dust collector cartridge traps more than 99.7 percent of the dust particles down to 0.5 micron. If cabinet visibility decreases, a few press-and-release cycles quickly clean the filter cartridge.

The long-lasting cartridge can be replaced in minutes, reducing downtime.

Pulsar's pulse valve has its own pressure regulator and gauge.

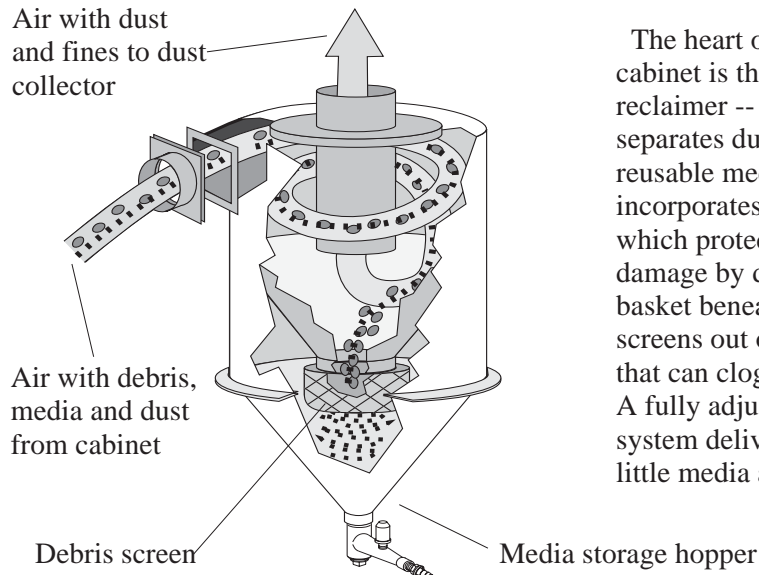
Versatile

All Pulsars come equipped to handle most common recycleable blast media, from glass bead to coarse aluminum oxide. To convey heavy steel media more efficiently, an optional steel media kit is available for use with Pulsar VI or VI-P models.

The kit includes reduced-ID recovery hoses to increase the media velocity, allowing more thorough separation of dust and debris in the reclaimer.

Another feature, exclusive to the Pulsar VI-P, is a special metering valve with urethane-coated metering plate that lets the valve handle super-fine media.

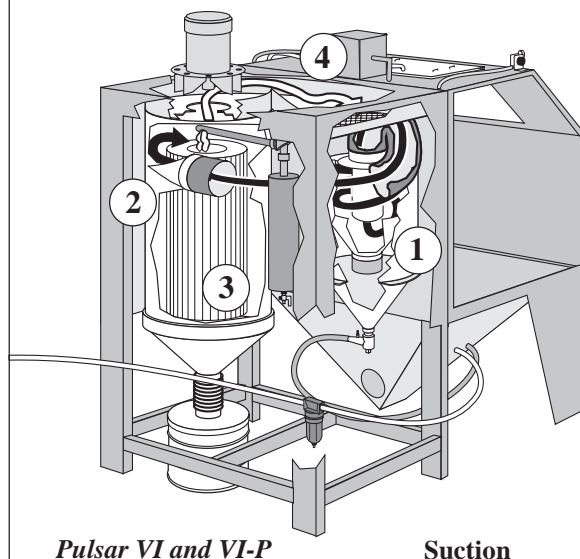
The Heart of the Pulsar System



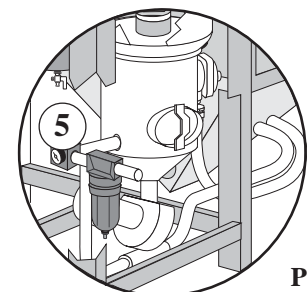
The heart of every Pulsar cabinet is the proven ZERO reclaimer -- which efficiently separates dust and debris from reusable media. The reclaimer incorporates a wear-plate which protects the inlet from damage by debris. The large basket beneath the reclaimer screens out oversize material that can clog the blast system. A fully adjustable metering system delivers as much or as little media as needed.

A Simple Balanced System

Reclaimer (1) separates reusable media from dust and broken media. Dirty air flows into dust collector (2), passes through the replaceable cartridge (3), which traps the contaminants. Clean air is exhausted into the enclosure above the reclaimer, (4).



In the pressure system a 1 cu ft blast machine (5) replaces the media storage hopper. The blast machine is automatically refilled from the reclaimer (1) each time the foot pedal is released.



Pulsar

Pulsar III & Pulsar VI Suction Cabinets

- *Continuous reclamation and high-production blasting.*
- *Simple media metering system allows precise adjustment.*
- *Exclusive BNP Blast Gun sets the industry standard for performance and durability.*
- *Number 5 Gun and ceramic nozzle standard.*
- *Easy access to reclaimer door for adding fresh media, and to dust drum for dust removal.*
- *Efficient 1/2-inch air filter traps oil and water that can ruin blast media and contaminate cleaned parts.*
- *Pulsar VI features flanged mounting on reclaimer that can accept suction or pressure blast system.*



BNP Gun

The ZERO BNP gun sets the industry's standard for delivering the most cleaning power. The comfortable pistol-grip design reduces operator fatigue and increases productivity during prolonged blasting.

Optional tungsten carbide and boron carbide nozzles easily handle aggressive media.

Convertible

Pulsar cabinets are built with flexibility in mind. When your production needs change, your Pulsar VI can be converted from suction blast to pressure blast.



Pulsar III

Applications

- Remove rust, millscale, heat scale, and carbon build-up
- Strip paint, powder coating, plating and anodizing
- Eliminate burrs, parting lines, and flashings
- Extract residual sand from castings
- Beautify steel, stainless steel, aluminum, brass and other metals
- Etch artwork and lettering into glass, stone, plastics and metal
- Clean residue and release agents from molds



The Pulsar suction blast cabinets combine blast, recovery, reclaim and dust collection in an efficient, compact enclosure.



Pulsar VI-P Pressure Cabinet

- *1-cu-ft blast machine (with automatic refill from reclaimer) holds enough media to blast continuously for up to 30 minutes.*
- *ASME-code blast machine rated for 125 psi with large hand hole for internal maintenance and 35-degree conical bottom for smooth media flow.*
- *Standard Number 3 tungsten carbide nozzle delivers hundreds of hours of efficient blasting with most abrasives. Pulsar VI-P accepts nozzles up to Number 5.*
- *Efficient 1-inch air filter delivers high-volume air and traps oil and water that can ruin blast media and contaminate cleaned parts.*
- *Pulsar VI-P features flanged mounting on reclaimer to accept suction or pressure blast system.*

Fast Cleaning

The Pulsar VI-P incorporates a 1 cubic foot capacity blast machine in place of the suction blast system found on the Pulsar VI.

Pressure blasting cleans at rates three to four times faster than suction blasting and results in a better profile for bonding coatings or for stress relief on metals.

Convertible

Pulsar cabinets are built with flexibility in mind. When your production needs change, your Pulsar VI-P can be converted from pressure blast to suction blast.



Pulsar VI-P



Tungsten Carbide Nozzle

A Number 3 tungsten carbide blast nozzle comes standard on the Pulsar VI-P.

An optional boron carbide nozzle handles super-aggressive abrasives.



Flange-mounted blast machine on Pulsar VIP

S P E C I F I C A T I O N S

COMPLETE SYSTEM

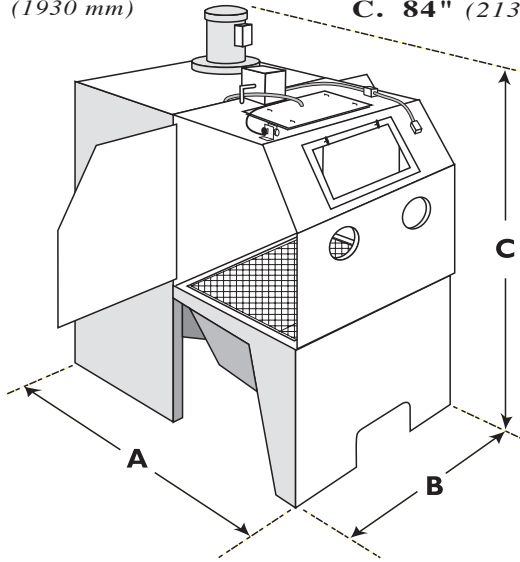
Actual space requirements depend on desired work flow. Allow additional work space for operator and maintenance.

Pulsar III

- A. 62" (1575 mm)
- B. 38" (965 mm)
- C. 76" (1930 mm)

Pulsar VI & VI-P

- A. 71" (1803 mm)
- B. 52" (1321 mm)
- C. 84" (2134 mm)



CABINET

Working Chamber Size

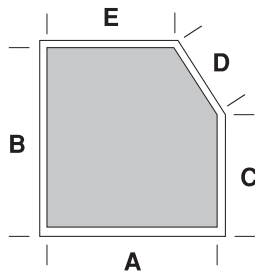
Pulsar III 36" wide (914 mm)
35" deep (889 mm)
37" high (940 mm)

Pulsar VI and VI-P 50" wide (1270 mm)
39" deep (991 mm)
43" high (1092 mm)

Window Size (safety glass)

19.5" wide (495 mm)
12.5" high (318 mm)

Door Opening



Pulsar III	Pulsar VI & VI-P
A - 32.5" (826 mm)	36.5" (927 mm)
B - 34" (864 mm)	38" (965 mm)
C - 19" (483 mm)	19.5" (495 mm)
D - 17.5" (445 mm)	20.5" (521 mm)
E - 24" (610 mm)	27" (686 mm)

DUST COLLECTORS

Reverse pulse cartridge dust collectors (which trap 99.7% of dust down to 0.5 micron) allow non-stop, high-production blasting. The polyester-cellulose cartridges are automatically pulse cleaned for maximum filter efficiency. Worn cartridges can be replaced in minutes.

Filtering Area

Pulsar III 107 ft² (9,9 m²) Pulsar VI and VI-P 195 ft² (18,1 m²)

Dust concentration in exhausted air is nominally 5.0 mg/m³.

For especially dust sensitive work environments, Order the optional HEPA filter.

Clemco is committed to continuous product improvement. Specifications are subject to change without notice.

Clemco Industries is an ISO 9001-2000 certified company.

© 2004 Clemco Industries Corp. • One Cable Car Drive • Washington, MO 63090 • (636) 239-4300 • FAX (800) 726-7559

Stock No.: 20159

www.clemcoindustries.com

Job No.: 1006-0292, Rev. F: 01/04

GUNS/NOZZLES

SUCTION BLAST AIR REQUIREMENTS

NOZZLE	NOZZLE ORIFICE	AIR JET	CFM at 80 PSI	M ³ /Min at 5,5 BAR
No. 4	5/16"	1/8"	21	0,6
No. 5	5/16"	5/32"	32	0,9
No. 6	3/8"	3/16"	48	1,35
No. 7	7/16"	7/32"	62	1,75
No. 8	1/2"	1/4"	85	2,4

Pulsar III and Pulsar VI cabinets are furnished with a No. 5 gun and ceramic nozzle.

PRESSURE BLAST AIR REQUIREMENTS

NOZZLE	NOZZLE ORIFICE	CFM at 80 PSI	M ³ /Min at 5,5 BAR	CFM at 100 PSI	M ³ /Min at 7 BAR
No. 2	1/8"	17	0,5	20	0,6
No. 3	3/16"	38	1,08	45	1,3
No. 4	1/4"	68	1,93	81	2,3
No. 5	5/16"	113	3,20	137	4,0

Pulsar VI-P cabinets are furnished with a No. 3 tungsten carbide nozzle.

Electrical

Pulsar III: 1/2HP, 115V, 1PH, 60HZ, (.37KW, 220V, 1PH, 50HZ)

Pulsar VI & VI-P: 1HP, 115V, 1PH, 60HZ, (.75KW, 220V, 1PH, 50HZ)

Some installations may require electrical connection by a qualified electrician.

Reclaimer Flow Rates

Pulsar III: Nominal 300 cfm

Pulsar VI & VI-P: Nominal 600 cfm

ORDERING INFORMATION

Model	Stock No.	Shipping Weight	
		lb.	kg.
Pulsar III	20185	759	345
Pulsar VI	20190	1,155	524
Pulsar VI-P	21639	1,260	572

Conversion Kits

Pressure Conversion Kit	21660	215	98
Suction Conversion Kit	21666	25	11

Popular Accessories

- Adjustable Gun Mount
- Automatic Pulse Kit
- Alox Kit
- Air-powered Vertical Lift Door
- Curtains
- Manometer Kit
- HEPA filter
- 20-, 24-, and 30-inch Turntables
- Oscillator Assembly
- Two Gallon Tumble Basket
- Work Car & Track Assembly
- Steel Grit/Shot Media Kit
- Timed Door Release

Distributed By:

